

# CENTRIFUGES -3200 S



EPC / PRODUCTS / APPLICATION / SOFTWARE / ACCESSORIES / CONSUMABLES / SERVICES

**Analytical Technologies Limited**

An ISO 9001 Certified Company

[www.analyticalgroup.net](http://www.analyticalgroup.net)

►► **Small and practical centrifuges for small sample volume**





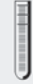



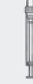






The Centrifuges 3200 and 3200s are fitted as standard with an angle rotor for 8 tubes up to a volume of 15 ml. The 3200 attains a max. RCF of 3,461 and is the ideal choice for a medical practice. The more powerful 3200s generates a max. RCF of 6,153 and is suitable for emergency laboratories where every minute counts. Its higher speeds reduce centrifugation time such that plasma with a low platelet content is available for analysis after just a few minutes.

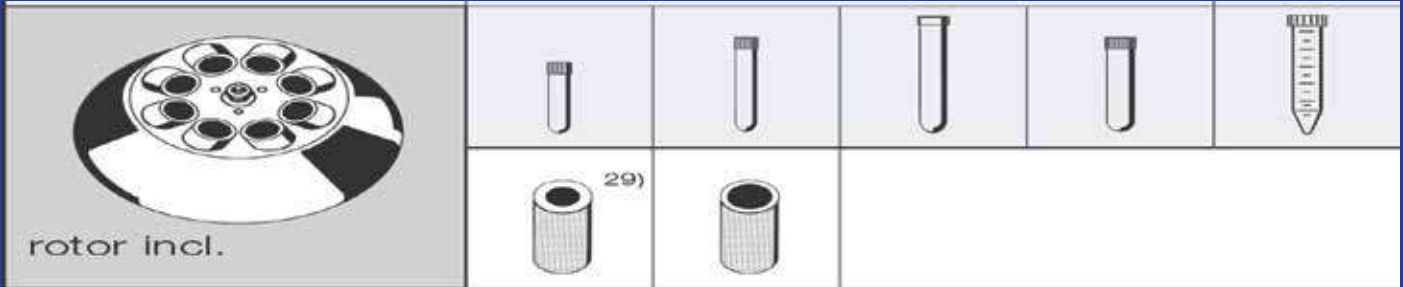
►► **Feature of rotors**

	Power supply	Frequency	Consumption	Emission, Immunity
EBA 3200	208 – 240 V 1 ~	A200212	65 VA	EN / IEC 61326-1 class B
	100 – 127 V 1 ~		70 VA	FCC class B
EBA 2300S	200 – 240 V 1 ~		130 VA	EN / IEC 61326-1 class B
	100 – 127 V 1 ~		180 VA	FCC class B

Max. capacity	8 x 15 ml	8,000 min
Max. RPM	6,000 min	6,153
Max. RCF	3,461	
Running time	1 – 99 min ,continuous run, short cycle mode (impulse key)	
Dimensions (Hx Wx D)	216 x 231x 292 mm	
Weight	approx. 4 kg	approx. 6 kg



capacity in ml	4	5	6	15	1.1-1.4	2.6-3.4	2.7- 3	4.5-5	4.9	7.5-8.5	9-10	10
capacity in ml	10x88	12x75	12x82	17x100	8x66	13x65	11x66	11x92	13x90	15x92	6x92	15x102
rotor incl.												
		 29)				 29)						

<b>boring Ø x L in mm</b>	11.5x67.5	13.5 x 60	17.7 x 88	13.5 x 60	17.7 x 88
<b>tubes per rotor</b>	8				
<b>max. RCF<sup>2)</sup> EBA 20s</b>	2,817	2,697	3,461	2,697	3,461
<b>max. RCF<sup>2)</sup> EBA 20s</b>	5,009	4,794	6,153	4,794	6,153
<b>radius in mm</b>	70	67	86	67	86
<b>run-up in sec</b>	26/23				
<b>run-down in sec braked</b>	37/40				
<b>capacity in ml</b>	1.6 – 5	4 – 7	8	8.5 – 10	15
<b>Ø x L in mm</b>	13 x 75	13 x 100	16 x 125	16 x 100	17x120
 <p>rotor incl.</p>					
<b>boring Ø x L in mm</b>	13.5 x 60	13.5 x 79	17.7 x 88		
<b>capacity in ml</b>	1.6 – 5	4 – 7	8	8.5 – 10	15
<b>tubes per rotor</b>	8	8	4	8	4
<b>max. RCF<sup>2)</sup> EBA 20s</b>	2,697	3,461			
<b>max. RCF<sup>2)</sup> EBA 20s</b>	4,794	6,153			
<b>radius in mm</b>	67	86			
<b>run-up in sec</b>	26/23				
<b>run-down in sec braked</b>	26/23				

▶▶ Regulatory compliances



▶▶ Corporate Social Responsibility

Analytical Foundation is a Nonprofit Organization (NGO) found for the purpose of:



# Analytical Foundation

1. Research & Innovation Scientist's awards / QC Professional Award : Quality life is possible by innovation only and the innovation is possible by research only, hence ANALYTICAL FOUNDATION is committed to identify such personalities for their contributions across various field of Science and Technology and awarding them yearly. To participate for award, send us your details of research / testing / publication at [info@analyticalfoundation.org](mailto:info@analyticalfoundation.org)

2. Improving quality of life by offering YOGA Training courses, Work shops / Seminars etc.

3. ANALYTICAL FOUNDATION aims to DETOXYFY human minds, souls and body by means of Yoga, Meditation, Ayurveda, Health Care, Awards, Media, Events, Camps etc.

▶▶ Reach us @



HPLC Solutions    MultipleLabs    Analytical Bio-Med    Analytical Distributors    Analytical Foundation (Trust)

**Corporate & Regd. Office:**  
Analytical House, # E67 & E68,  
Ravi Park, Vasna Road, Baroda,  
Gujarat 390 015. INDIA

T: +91 265 2253620  
+91 265 2252839  
+91 265 2252370  
F: +91 265 2254395

E: [info@hplctechnologies.com](mailto:info@hplctechnologies.com)  
[info@multiplelabs.com](mailto:info@multiplelabs.com)  
[info@analyticalgroup.net](mailto:info@analyticalgroup.net)  
[info@analyticalbiomed.com](mailto:info@analyticalbiomed.com)

W: [www.ais-india.com](http://www.ais-india.com)  
[www.analyticalgroup.net](http://www.analyticalgroup.net)  
[www.hplctechnologies.com](http://www.hplctechnologies.com)  
[www.multiplelabs.com](http://www.multiplelabs.com)

Sales & Support Offices:  
across the country :  
Distributors & Channel  
partners World Wide

Note : Company reserves rights to add/delete/modify the contents /technical specifications of the catalogue without prior notice.