

PDVa - 3100

AUTOMATIC PORTABLE VISCOMETER



EPCC / PRODUCTS / APPLICATION / SOFTWARE / ACCESSORIES / CONSUMABLES / SERVICES

Analytical Technologies Limited

An ISO 9001 Certified Company

www.analyticalgroup.net

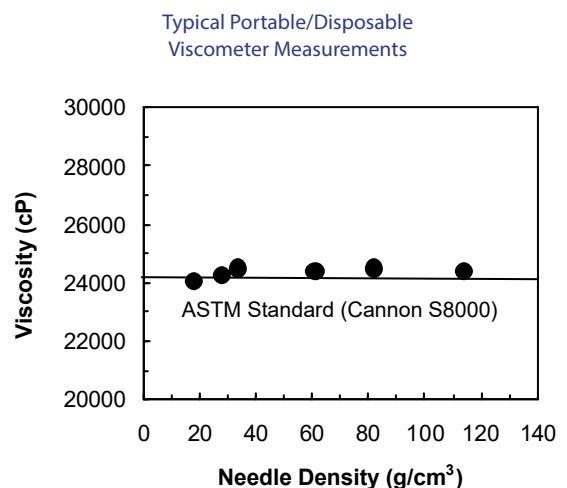
A New Instrument for the Rapid and Accurate Determination of the Viscous Properties of Newtonian and Non-Newtonian Fluids

- Disposable Sample Tube
- No Instrument Cleaning
- Absolute Viscosity Measurements without Instrument Calibration
- Field Viscosity Test
- Quick and Easy Viscosity Measurements
- Automatic Falling Time Measurements to 0.001 Sec.
- Inexpensive Non-Newtonian Viscosity Measurements
- Better than One Percent Accuracy and Repeatability

►► PDVa-3100

ATL is proud to announce a breakthrough in viscometer technology. Viscosity measurement has never been so easy! The PDVa-3100 portable/disposable viscometer with disposable tube greatly reduces testing time because instrument cleaning is not required. The PDVa-3100 is simple-to-use, accurate, low-cost, compact and lightweight field viscometer that can be taken anywhere.

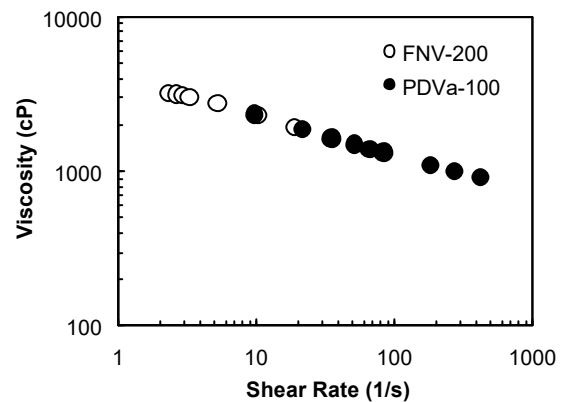
The PDVa-3100 consists of a main system and a disposable (or reusable) sample insert tube filled with the liquid of which the viscosity is to be determined. Viscosity of the sample can be determined by measuring the time of fall of a needle through a predetermined distance of the fluid held in the sample insert tube. The falling time is measured automatically by means of laser sensors.



Viscosity measured by using the portable/disposable viscometer compared to the data known of ASTM standard (Cannon S 8000) at 25°C

►► SPECIFICATIONS

- Viscosity Range: 0.7 to 10⁶ mPa·s (cP)-outside this range consult SBS.
- Temperature Range: -40 to 100°C
-with an optional heating block
- Accuracy and Repeatability: better than 1%
- Test Sample Volume: Approx.4.0 cm³
-outside this range consult SBS.
- Needle: Metal
- Needle Densities: up to 130 g/cm
- Total Instrument Weight: 2.3kg (5 lbs)

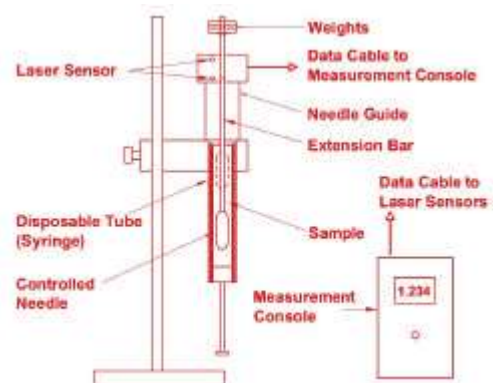


Viscosity measured by using the portable/disposable viscometer (PDVa - 3100) compared to the data measured by the falling needle viscometer (FNV-200) for ointment at 25°C

Schematic of PDVa-3100

►► SPECIAL FEATURES

- Field Viscosity Test
- Disposable Sample Tube
- No Instrument Cleaning
- Minimal Disturbance of Sample's Mechanical Structure and Particle Size Distribution with Gentle Needle Passage



►► APPLICATIONS

Adhesives, Aerosols, Automobile Fluids, Biomaterials, Coal Slurries, Coatings, Colloids, Cosmetics, Creams, Dairy Products, Detergents, Dispersions, Emulsions, Fertilizers, Foams, Fuels, Gels, Grease, Honey, Inks, Ketchup, Latex, Lubricants, Mayonnaise, Milk, Oils, Ointments, Paints, Petroleum, Polymers, Proteins, Pulp, Resins, Shampoos, Slurries, Soaps, Solutions, Surfactants, Suspensions, Varnish and many more.

Regulatory compliances



Corporate Social Responsibility

Analytical Foundation is a nonprofit organization (NGO) found for the purpose of:



Analytical Foundation

1. Research & Innovation Scientist's awards/QC Professional Award : Quality life is possible by innovation only and the innovation is possible by research only, hence ANALYTICAL FOUNDATION is committed to identify such personalities for their contributions across various field of Science and Technology and awarding them yearly. To participate for award, send us your details of research / testing / publication at Info@analyticalfoundation.org

2. Improving quality of life by offering YOGA Training courses, Work shops/Seminars etc.

3. ANALYTICAL FOUNDATION aims to DETOXIFY human minds,souls and body by means of yoga, Meditation, Ayurveda, Health Care, Awards, Media, Events, Camps etc.

Reach us @



HPLC Solutions MultipleLabs Analytical Bio-Med Analytical Distributors Analytical Foundation (Trust)

Corporate & Regd. Office:
Analytical House, # E67 & E68,
Ravi Park, Vasna Road, Baroda,
Gujarat 390 015. INDIA

T: +91 265 2253620
+91 265 2252839
+91 265 2252370
F: +91 265 2254395

E: info@hplctechnologies.com
info@multiplelabs.com
info@analyticalgroup.net
info@analyticalbiomed.com

W. www.analycalgroup.net
www.hplctechnologies.com
www.multiplelabs.com
www.ais-india.com

Sales & Support Offices:
across the country :
Distributors & Channel
partners World Wide